

Custom-Made Air Tubenut Tools

Shut-off type clutch ■
Easy to adjust torque. Strong impulse when torque value reached. High accuracy.



Clutch Shut-off

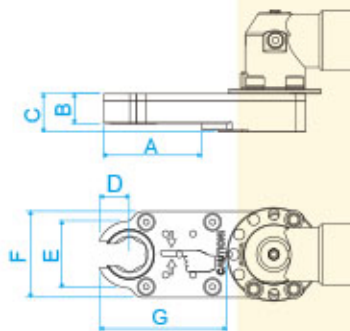
■ Operating with lever and releasing by button. Dual control user-friendly design.



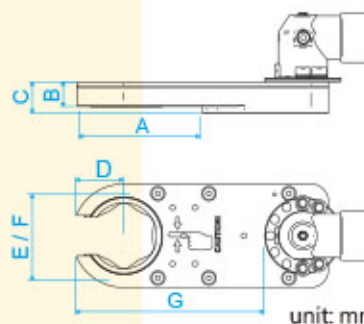
■ Rubber handle makes stable and low vibration for grip.

■ Light weight. Bring the comfortable feeling for the operator.

Adjustable open-end gear arm to 60° according to the need.



A-BEA-S02-R70T05
A-BEA-S02-R23T14



A-BEA-S02-R15T20
A-BEA-S02-R11T24

unit: mm

Open-end gear arm Dia.

Model	A	B	C	D	E	F	G
A-BEA-S02-R70T05	4	14	18	13.6	31	40	58.8
A-BEA-S02-R23T14	4	14	18	13.6	31	40	58.8
A-BEA-S02-R15T20	57.2	14	18	20.6	46.6	48	83.2
A-BEA-S02-R11T24	71	14	18	26.6	59	59	112.4

Model	Socket Size	Torque Range	Free Speed	Length	Weight	Air Consumption	Item No.
	mm	Nm	rpm	mm	kg	l/s	
A-BEA-S02-R70T05	7,8,9,10,11,12,13,14,15,16,17	2~5.5	700	413	1.675	13.2	102 32 173
A-BEA-S02-R23T14	7,8,9,10,11,12,13,14,15,16,17	5~15	230	413	1.67	13.2	102 32 170
A-BEA-S02-R15T20	17,19,21,22,24	8~20	150	438	1.84	13.2	102 32 171
A-BEA-S02-R11T24	24,26,27,29,30,32	10~24	115	461	2.1	13.2	102 32 172

Air Inlet Size: 1/4" Min. Air Hose ID: 3/8" Recommend Air Pressure: 90psi

Included accessories: 1x 1/4"Coupler • 1x Ring Hanger

★Remark : Standard Socket type: Through hole
Each tool need to order with Socket Size.